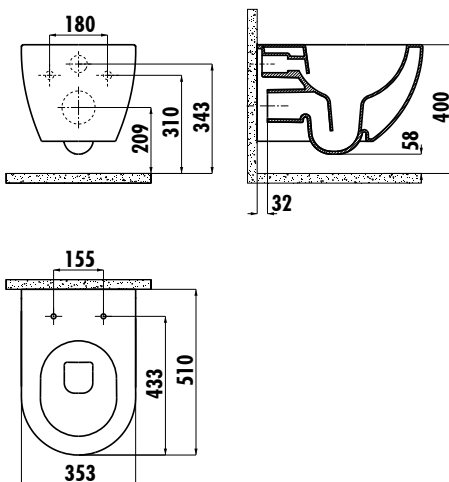


FREE WALL HUNG PAN

FE322-00AM00E-0000

FE322-00AM00E-0000	Free Rim-Off Wall Hung Pan Combine Bidet - Anthracite Matt
FE322-11AM00E-0000	Free Rim-Off Wall Hung Pan - Anthracite Matt
KC0903.01.0400E	Duck Duroplast Soft Closing Anthracite Matt Seat&Cover
Qty of Pallet:	Pan + Seat&Cover 24
Qty of Box:	1 Set
Weight:	Pan 26,83 kg · Seat&Cover 2,55 kg

TECHNICAL DRAWING



SPECIFICATIONS



There is only hidden connection for the self cleaning pipe&internal mechanism. Not suitable for side connection.

Creavit keeps its rights of making any change to the products.



Quality Management Systems



Customer Satisfaction Certificate



Environmental Management System



Occupational Safety & Health Management System

LGA

Germany Accreditation Certificate

kiwa

Netherlands Accreditation Certificate

GOST - R

Russia Accreditation Certificate

UkrSEPRO

Ukraine Accreditation Certificate



Israel Accreditation Certificate



Nigeria Accreditation Certificate



European Accreditation Certificate



Turkish Accreditation Certificate