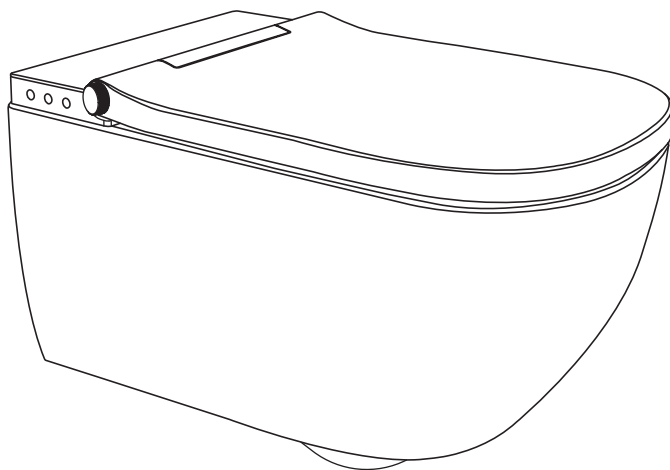


# Smart Toilet Installation Instruction

Apply to CH1088ZR CH10166ZR



# Important Note

## Installation Instructions

Installation instructions are used to guide the correct installation toilet. Please read them carefully before installation.

## Icon and Meaning Explanation



**Danger** Inevitably, it will lead to serious injury and even death.



**Caution** Represents an operation practice unrelated to physical injury.

## Please read the instructions in this chapter

### Target Reader and Installer Qualifications

This intelligent toilet level related water pipe can only be installed by qualified plumbers. Electrical installation can only be carried out by qualified electricians.

## Safety instructions



**Caution** Product and/or performance damage

\* Be sure to abide by the national/regional standards and local installation regulations.



**Caution** The product is damaged by the freezing of water.

\* It is forbidden to install intelligent toilets in rooms at risk of frost. The lowest indoor temperature is not less than 4 C. in cold areas, please leave it indoors for 24 hours before installing.



**Caution** Damage caused by condensation of water vapor

\* When the intelligent toilet is moved from the low temperature environment to the high temperature environment, please unplug the power for several hours first.

## It is strictly forbidden to dismantle independent parts and components



**Danger** Deadly electric shock danger!

\* If the power cord is damaged, it must be replaced by the manufacturer's maintenance personnel or similar professionals.

\* Instruments must be properly grounded.

\* Fixed wiring must be equipped with an electric shock distance device to provide full-pole disconnection under over-voltage level III conditions according to wiring rules.

\* Fixed wiring power supply wire specifications for wire nominal cross-sectional area of 1-2.5 square millimeters.

\* Determine that the grounding end of the power supply line is 10 mm longer than that of the fire line (L) and the zero line (N).



**Caution**

\* The unit of length in this installation instruction is millimeter (mm).

\* The appliance will be permanently connected to the water pipe. Remove the water pipe assembly except for installation and maintenance.

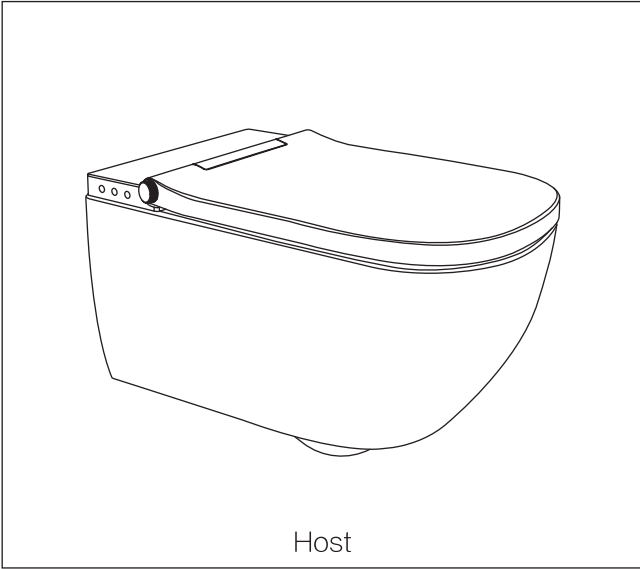


**Caution**

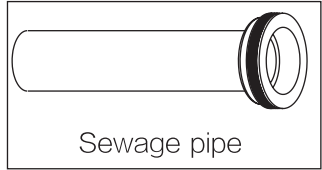
\* Applicable voltage AC220V~240V , 50/60Hz

\* Applicable range of water pressure 0.07~0.75MPa(0.7~7.5Bar)

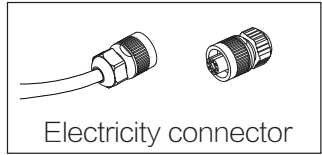
# Bill of materials



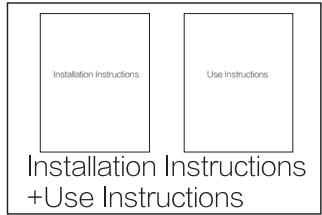
Host



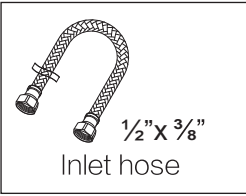
Sewage pipe



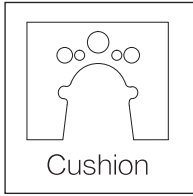
Electricity connector



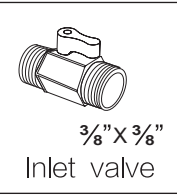
Installation Instructions  
+Use Instructions



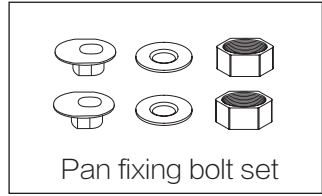
$\frac{1}{2}'' \times \frac{3}{8}''$   
Inlet hose



Cushion



$\frac{3}{8}'' \times \frac{3}{8}''$   
Inlet valve



Pan fixing bolt set

## Horizontal Plate Remote Controller

Screw+Pom nut

Backplane

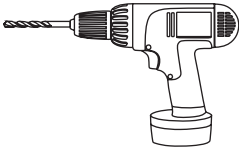
Bracket

Controller

### Caution Remote Control Installation

- \* Please make sure that the toilet is installed before the remote control is installed.
- \* Represents the installation steps of the horizontal panel remote control.

# Installation tools



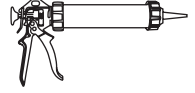
Electric drill with 6mm bit



Steel saw



Wire stripper



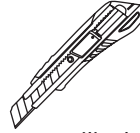
Sealat



Tape measure



Marking pen



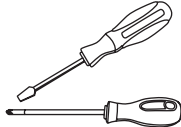
Utility knife



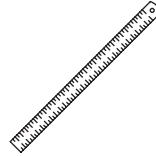
File



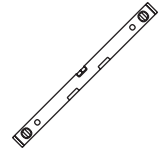
Monkey wrench



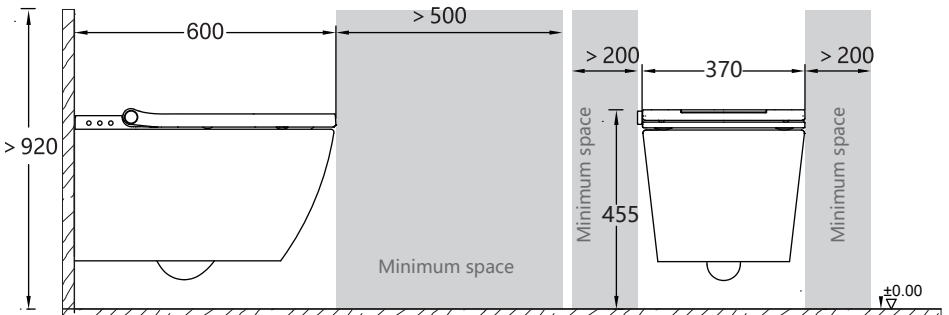
Screwdriver



Ruler



Levelling instrument



# Installation Mode 1

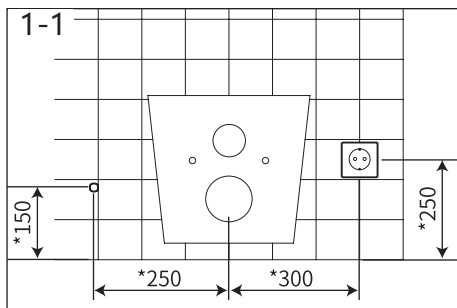
## Confirmation before installation

- 1、 The toilet installation area should be equipped with angle valves.
- 2、 The toilet installation area should be equipped with power sockets.

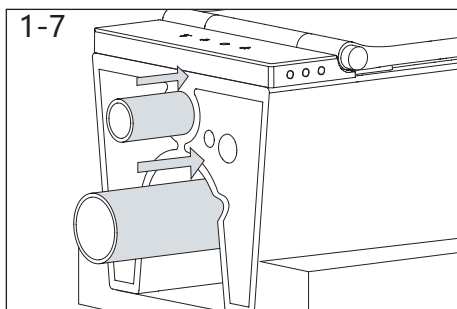
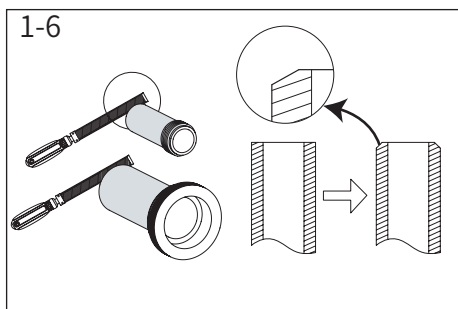
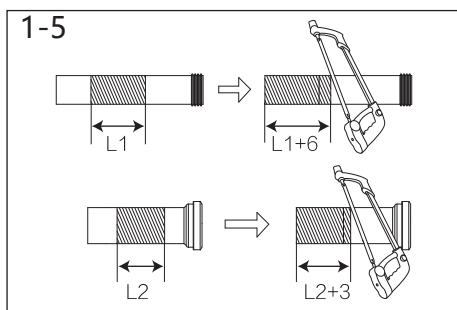
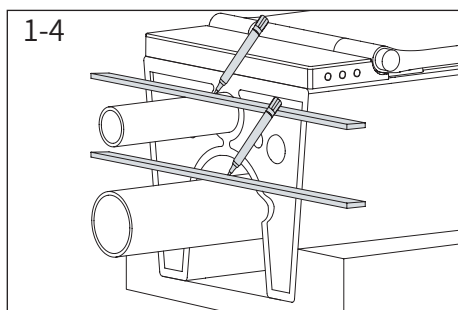
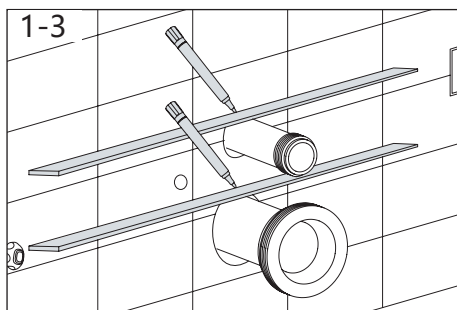
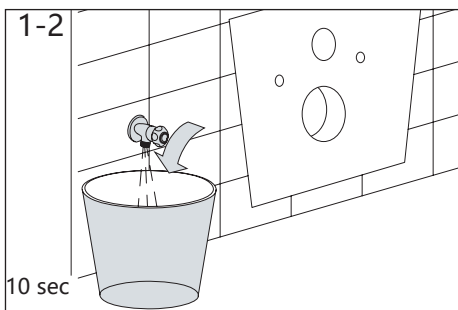


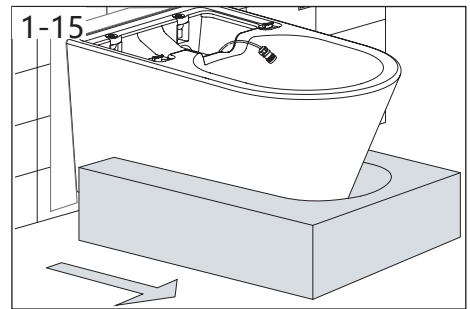
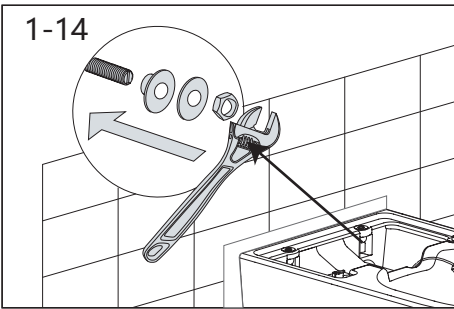
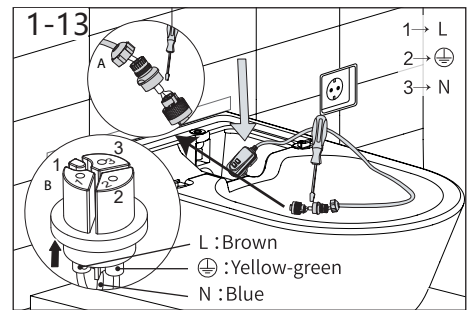
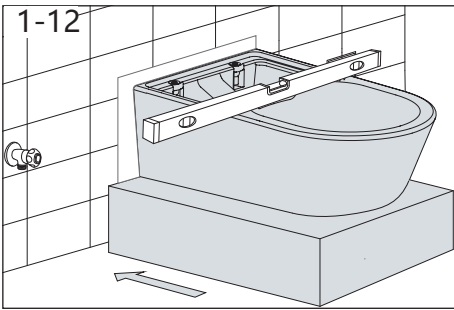
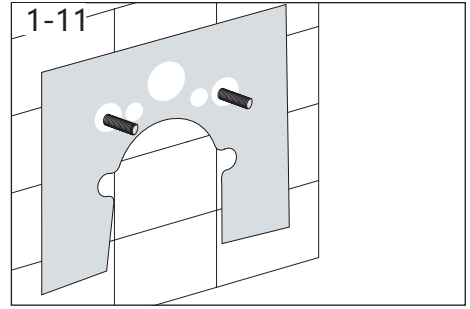
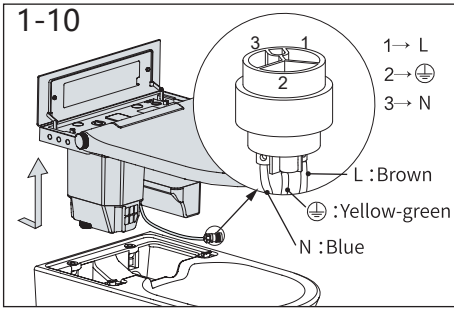
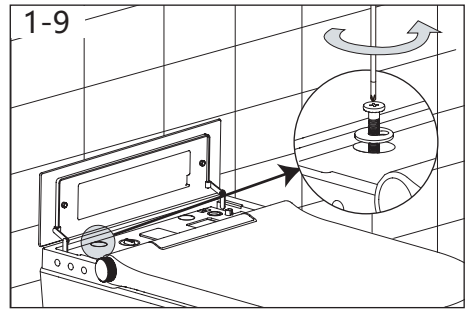
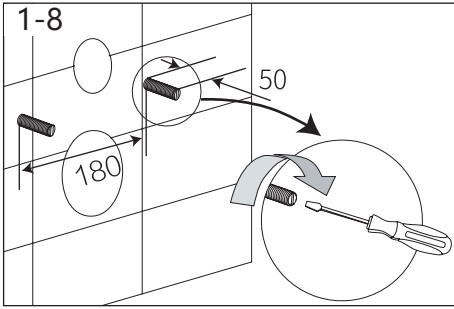
**DANGER**

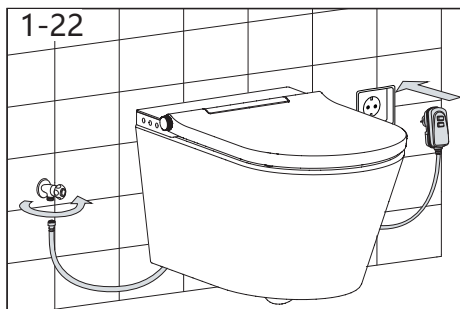
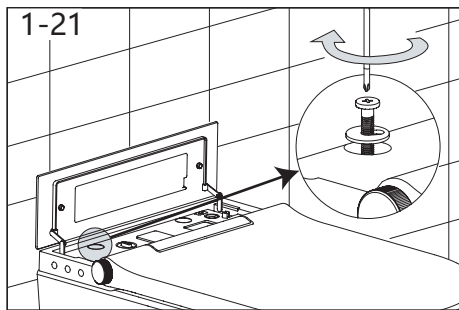
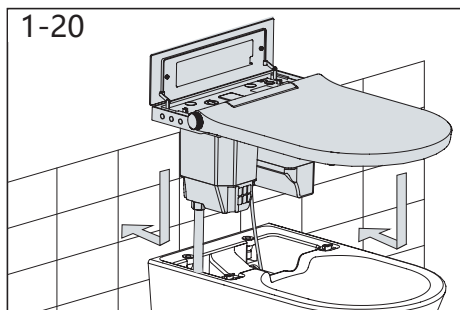
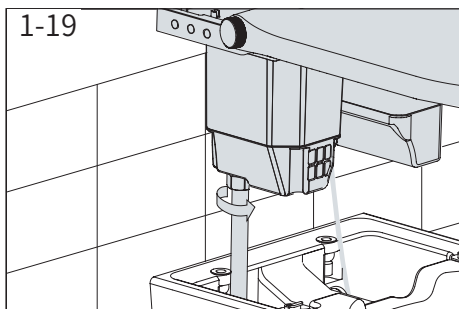
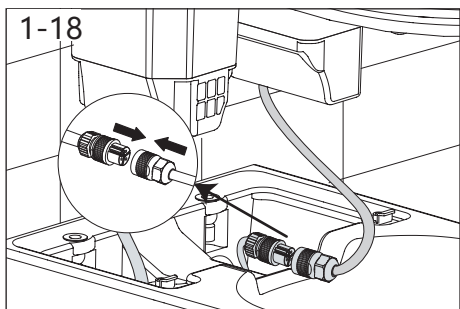
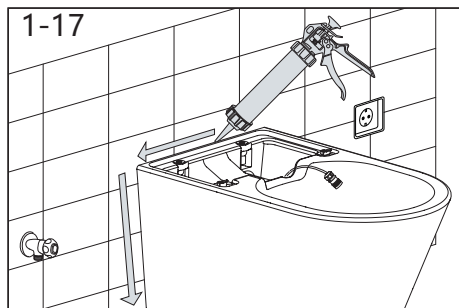
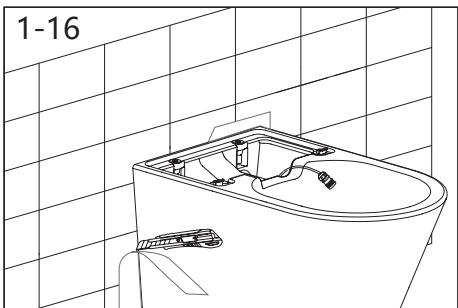
This operation should be performed by a professional in case of power off.



"\*" Recommended size







# Remote Control Installation

2-A  
Horizontal plate remote control installation  
"\*" Recommended size

